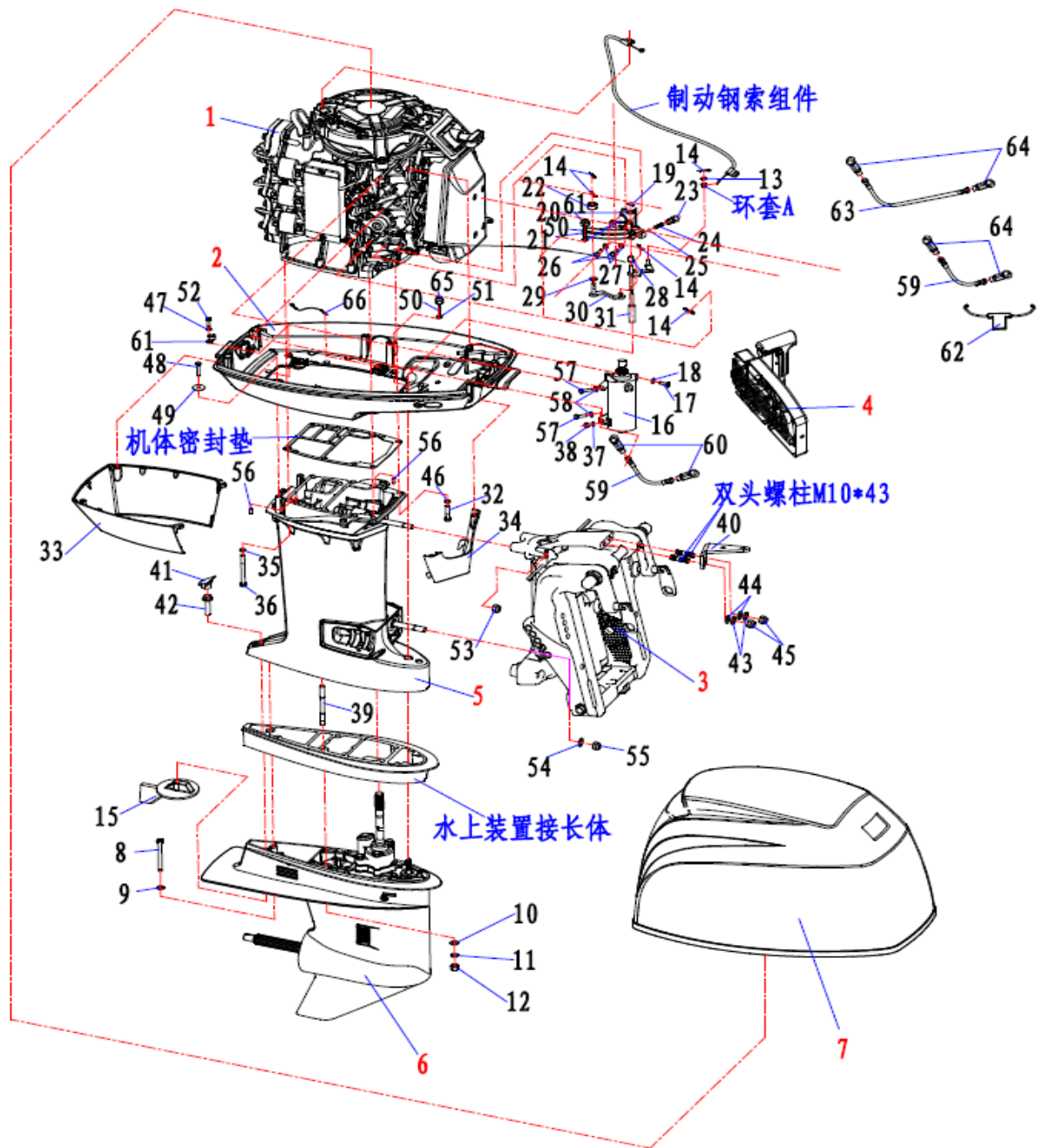




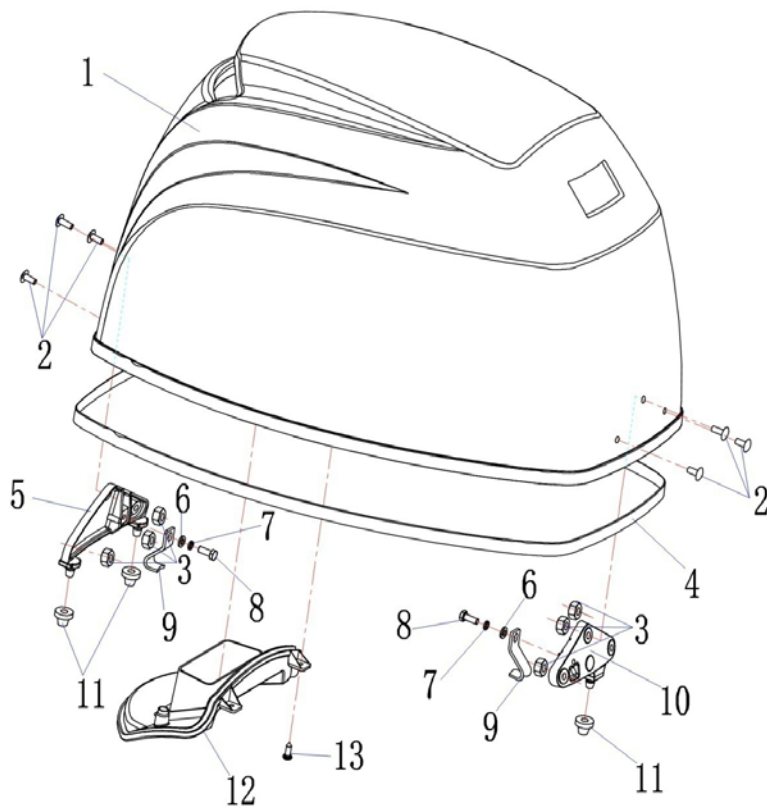
Мотор лодочный Marine Rocket MR60FFEL-T (849 см³)



1. Узлы и блоки

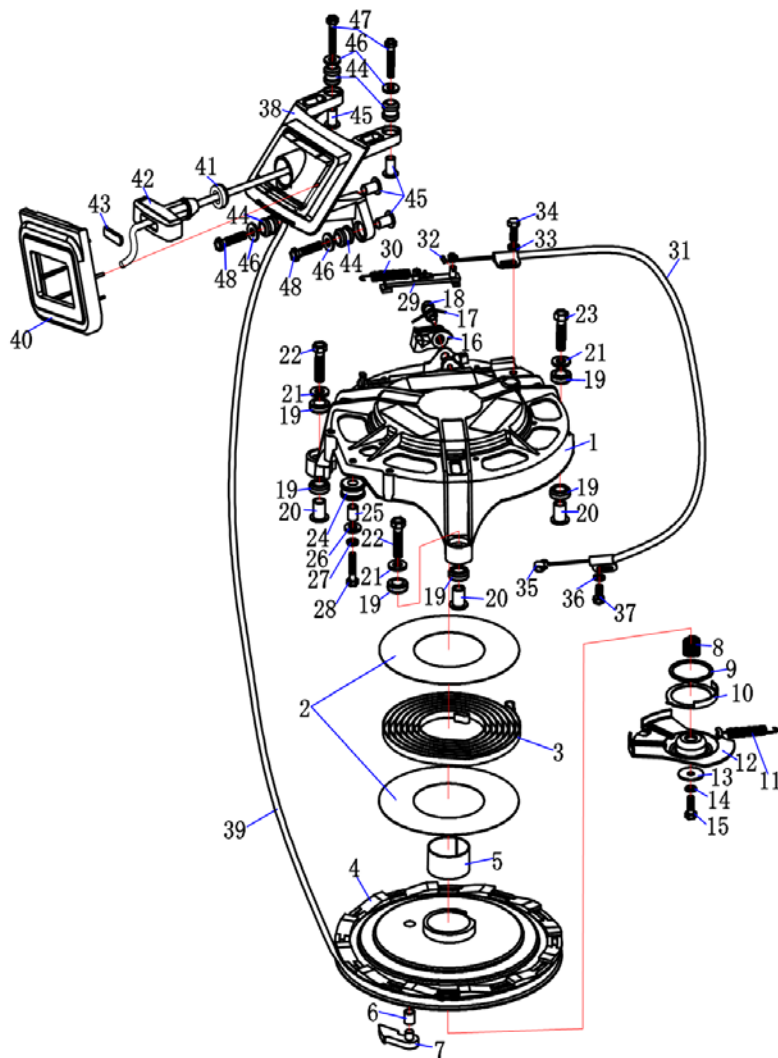
NO.	КОД МР	КОД №2	КОД ОЕМ	НАИМЕНОВАНИЕ	ШТ	УПАКОВКА	YAMAHA
1	MR030719	MR08030011	60F-01.00.00.00	Engine Assy.	1	1	
2			60F-02.00.00.00	Lower cowling system	1		
3			60F-03.00.00.00	Clamp Bracket system	1		
4			HDYK00.00.00	Remote control box Assy.	1		
5			60F-05.00.00.00	Waterborne casing	1		
6			60F-06.00.00.00	Lower unit	1		
7			60F-07.00.00.00	Top Cowling Assambly	1		
8	MR0104047BAG			Bolt M8*110	1	5	
9	MR010417109BAG			Flat gasket	1	10	
10	MR0104160BAG			Flat Pad 10	4	10	
11	MR01041541BAG			Spring washer	4	10	
12	MR0104140BAG			Hexagonal nut M10*1.25	4	2	
13	MR0104171BAG			Flat gasket	1	10	
14	MR01090126BAG		15F-04.08.05	circlip(L)	5	2	90468-18008
15	MR01011901		60F-06.00.00.03	Anode	1	1	
16	MR01031909		60FE-01.02.00.12	electric start motor	1	1	
17	MR0104013BAG			Hex Head Bolt M6*25	1	10	
18	MR0104171BAG			Flat gasket	1	10	
19	MR010418709BAG			Cottor pin 2*12	1	10	
20	MR010417109BAG			Flat gasket	1	10	

21	MR01011923		60F-01.06.00.17	Bracket, gear shift	1	1	
22	MR01071920		60F-01.06.00.15	Gear sliding sleeve	1	1	
23	MR01021919		60F-01.06.00.12	HEX NUT M12*1.25	1	1	
24	MR01091904		60F-01.06.00.13	SPRING	1	1	
25	MR0104370BAG		GB308	Steel ball 1/4	1	2	
26	MR0104012BAG			Hex Bolt M6*20	2	10	
27	MR0104171BAG			Flat gasket	2	10	
28	MR01071921BAG		60F-01.06.00.18	Bracket bush	1	2	
29	MR010719020BAG		60F-01.06.00.16	WASHER	1	10	
30	MR01081918		60F-01.06.02.00	Connecting rod,gear shift	1	1	
31	MR01021925		60F-01.06.03.00	Gear shift Lever Assy	1	1	
32	MR0104038BAG			Bolt	2	5	90119-08M10
33	MR091101011905	MR07190002	60F-00.00.00.01	Decorative cover	1	1	
34	MR091101011906	MR07190003	60F-00.00.00.02	Decorative cover	1	1	
35	MR01041540BAG			washer	6	10	
36	MR0104045BAG			Hex bolt M8*85	6	5	
37	MR0104154BAG			Spring Washer	1	10	
38	MR0104138BAG			Hex Nut M6	1	10	
39	MR0104342		GB901	Double head bolt B	4	1	
40	MR01081967		60FE-03.00.00.24	lever hook	1	1	
41	MR01061902BAG		60F-00.00.00.03	Anode plug	1	2	
42	MR0104353		GB5787	Hexagon head flange bolts M10*1.25*45 (S12)	1	1	
43	MR01041541BAG			Spring washer	2	10	
44	MR01041710901BAG			Flat gasket	2	10	92903-10100
45	MR0104230BAG			hexagonal lock nut M10*1.25	2	2	
46	MR01041540BAG			washer	2	10	
47	MR0104171BAG			Flat gasket	2	10	
48	MR0104014BAG			Bolt	4	10	
49	MR01081907BAG		60F-00.00.00.04	Flat Gasket	4	2	
50	MR01043441BAG		GB900M6*25/14	Bolt M6*25/14	2	5	
51	MR0104171BAG			Flat gasket	2	10	
52	MR0104012BAG			Hex Bolt M6*20	2	10	
53	MR0104230BAG			hexagonal lock nut M10*1.25	2	2	
54	MR0104161BAG			Flat gasket 12	2	10	
55	MR0104333			Hex nylon locking nut M12*1.25	2	1	
56	MR01020110BAG		15F-01.06.20	Locating Pin 2*6	2	10	
57	MR0104038BAG			Bolt	2	5	90119-08M10
58	MR010417109BAG			Flat gasket	2	10	
59	MR01031913		60FE-01.02.00.14	battery cable	2	1	
60	MR01060807BAG		DQDF15-00.03.06	rubber sleeve B	2	5	
61	MR01080210BAG		F15-01.03.00.42	fix clip,air breather tube	1	5	90465-06M86
62	MR01030826		HDF15HE-00.00.02	fuse wire	1	1	
63	MR01031915		60FET-01.02.00.15	lifted motor wire	1	1	
64	MR01060805		DQDF15-00.03.03	rubber sleeveA	4	1	
65	MR0104171BAG		GB6170M6	Flat gasket	2	10	
66	MR01100114			Connector parts	1	1	



2. Капот

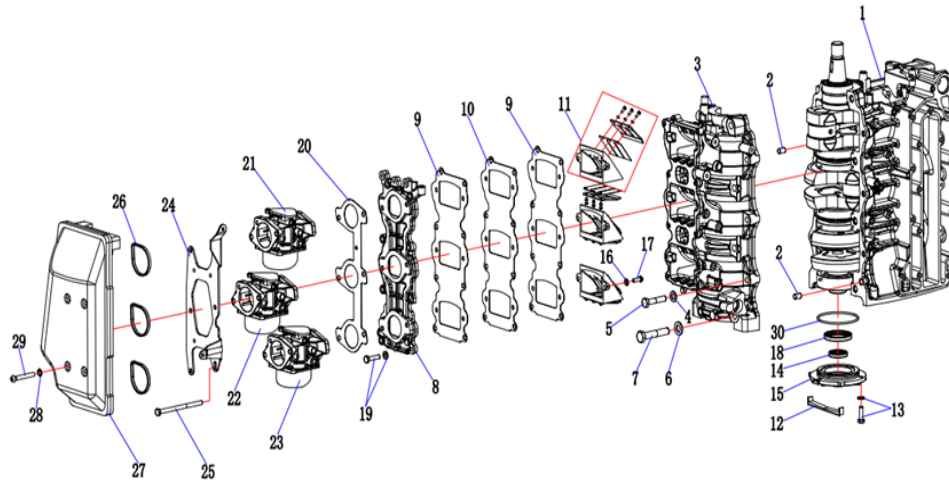
NO.	КОД MR	КОД №2	КОД OEM	НАИМЕНОВАНИЕ	ШТ	УПАКОВКА	YAMAHA
1	MR01071945		60F-07.00.00.07	Top cowling	1	1	
2	MR0104084BAG			Screw	6	10	
3	MR0104138BAG			Hex Nut M6	6	10	
4	MR01061946		60F-07.00.00.05	Rubber Seal ring	1	1	6H3-42615-00
5	MR01011951		60F-07.00.00.04	Fixing plate	1	1	90266-06009
6	MR0104171BAG			Flat gasket	2	10	
7	MR0104154BAG			Spring Washer	2	10	
8	MR0104009BAG			Bolt	2	10	
9	MR01081947		60F-07.00.00.01	Locking hook	2	1	6H3-42652-00
10	MR01011950		60F-07.00.00.03	Front locking hook fixing plate	1	1	6H3-42647-00-94
11	MR01061945BAG		60F-07.00.00.02	Top cowling shock absorbing foot	3	2	663-42662-00
12	MR01071944		60F-07.00.00.06	Air intake cap	1	1	
13	MR0104092BAG			Screw ST4.8*13	4	10	
	MR030213	MR08010016	60F-07.00.00.00	Top Cowling	1	1	



3. Ручной стартер

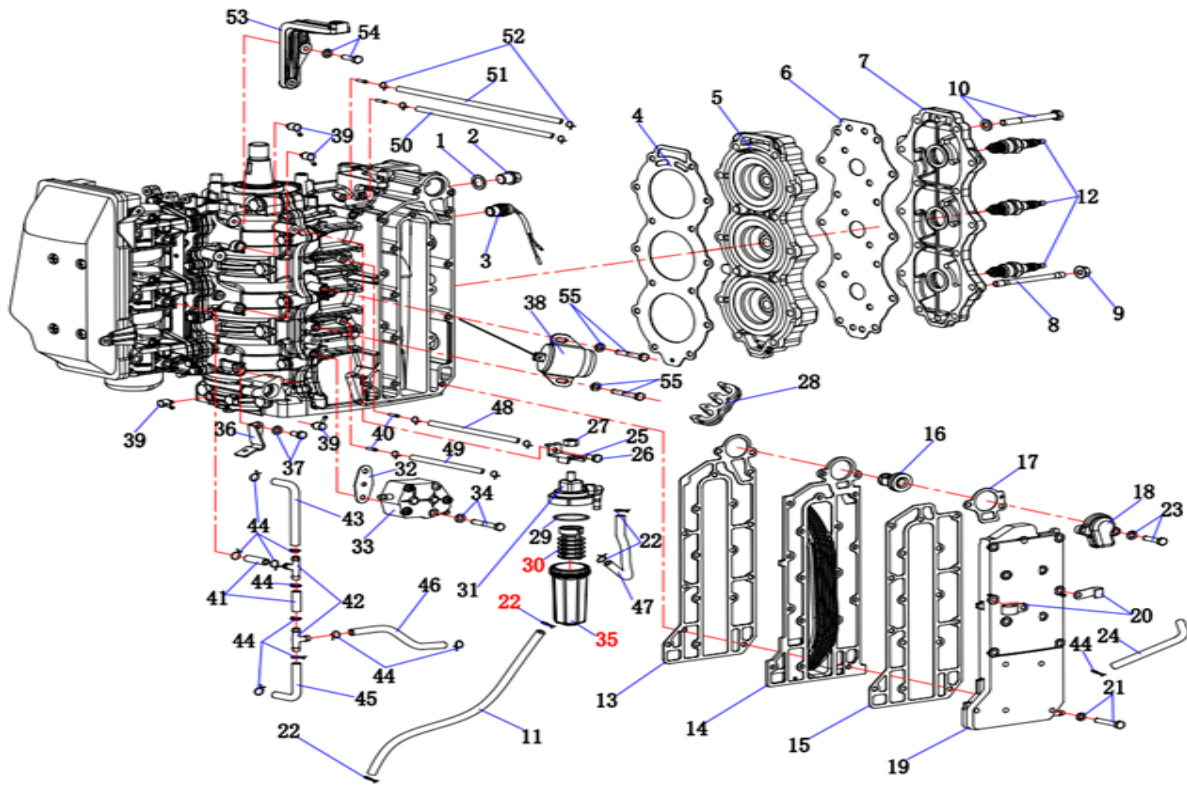
NO.	КОД MR	КОД №2	КОД OEM	НАИМЕНОВАНИЕ	ШТ	УПАКОВКА	YAMAHA
1	MR091101011909	MR01011909	60F-01.01.00.17	Starter housing	1	1	692-15711-00
2	MR010719010		60F-01.01.00.19	Antifriction disc	2	1	663-15739-00
3	MR01091909		60F-01.01.00.21	Volute Spring	1	1	663-15713-00
4	MR01011908		60F-01.01.00.14	Starter wheel	1	1	663-15714-01
5	MR01071904BAG		60F-01.01.00.20	Bushing	1	2	663-15754-00
6	MR01071902BAG		60F-01.01.00.12	Bush,drive arm	1	2	663-15764-00
7	MR01081908		60F-01.01.01.00	Drive arm Comp	1	1	663-15741-02
8	MR01091905BAG		60F-01.01.00.10	Spring	1	2	663-15715-00
9	MR01091928		60F-01.01.00.18	Coller ARSM-39.7	1	1	663-15744-00
10	MR01081921		60F-01.01.00.11	gasket plate	1	1	663-15726-01
11	MR01091908BAG		60F-01.01.00.13	pressure plate retracting spring	1	5	663-15734-01
12	MR01081937		60F-01.01.00.09	Start Plate	1	1	663-15716-01
13	MR010819061BAG		60F-01.01.00.08	Copper washer	1	2	663-15719-00
14	MR0104154BAG			Spring Washer	1	10	
15	MR0104009BAG			Bolt	1	10	
16	MR01071901BAG		60F-01.01.00.06	Brake	1	2	663-15794-00
17	MR01091907BAG		60F-01.01.00.05	torsional spring,brake	1	2	90508-12015
18	MR01021916		60F-01.01.00.04	Screw M5	1	1	90149-05095
19	MR01061104BAG		40F-01.01.14	Damper	6	2	90385-12M04
20	MR01021915		60F-01.01.00.03	shulder cushion tube(L)	3	1	90387-08M05
21	MR010417109BAG			Flat gasket	3	10	
22	MR0104037BAG			Bolt	2	2	
23	MR0104036BAG			Hex Head Bolt M8*25	1	5	
24	MR010211020		40F-01.01.01.04	scroll,start wheel	1	1	65F-15752-00
25	MR01021102BAG		40F-01.01.01.05	bushing	1	2	6F5-15753-00
26	MR0104164BAG			Flat gasket	1	10	
27	MR0104154BAG			Spring Washer	1	10	
28	MR0104013BAG			Hex Head Bolt M6*25	1	10	

29	MR01071903		60F-01.01.00.16	Brake silper	1	1	663-15735-01
30	MR01091906BAG		60F-01.01.00.01	Brake tension spring	1	2	90506-08M23
31	MR01101901		60F-01.01.02.00	Brake Steel cable Assy	1	1	6K5-15770-01
32	MR01041850BAG			Cotter pin 1.6*12	1	10	
33	MR0104171BAG			Flat gasket	1	10	
34	MR0104007BAG			Hex Bolt M6*10	1	10	
35	MR01021913BAG		60F-01.01.00.24	Coller A	1	2	663-15736-00
36	MR0104171BAG			Flat gasket	1	10	
37	MR0104007BAG			Hex Bolt M6*10	1	10	
38	MR091101011907	MR07190004	60F-01.01.00.07	Braket,starter	1	1	6K5-15758-01-94
39	MR01101912BAG		60F-01.01.00.15	Starter Rope ϕ 6*2500mm	1	2	
40	MR01061903		60F-01.01.00.02	rubber damper washer	1	1	6K5-15762-00
41	MR01061105BAG		40F-01.01.19	Shock ring,handle	1	2	6A0-15789-00
42	MR01071107		40F-01.01.18	Starter handle	1	1	338-05019-0
43	MR01071106BAG		40F-01.01.16	Starter Handle cover	1	2	338-05013-0
44	MR01061111BAG		40F-01.03.23	Damper	4	2	
45	MR01021108BAG		40F-01.03.22	Shoulder pad tube	4	2	61N-82317-00
46	MR0104164BAG			Flat gasket	4	10	
47	MR0104016BAG			Bolt	2	10	
48	MR0104013BAG			Hex Head Bolt M6*25	2	10	
	MR030116	MR08020010	60F-01.01.00.00	Recoil Starter Assy.	1	1	



4. Блок двигателя 1

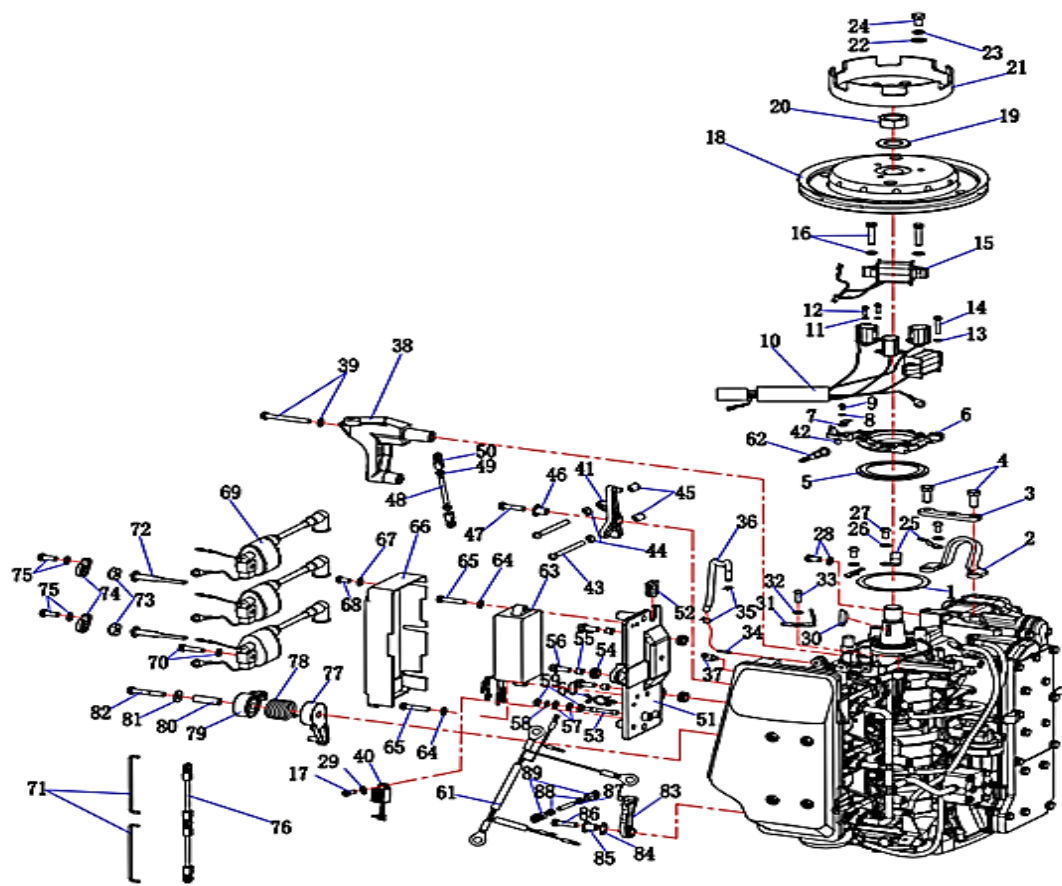
NO.	КОД MR	КОД №2	КОД OEM	НАИМЕНОВАНИЕ	ШТ	УПАКОВКА	YAMAHA
1	MR01011921	MR091101011921	60F-01.04.03.00	Crank case	1	1	69D-15100-00-1S
2	MR01021110BAG		40F-01.06.00.25	Dowel pin 8*12	2	5	93608-12063
3	MR01011920		60F-01.04.00.29	Case cover	1	1	93608-12063
4	MR010417109BAG			Flat gasket	6	10	
5	MR0104039BAG			Bolt	6	10	
6	MR01041710901BAG			Flat gasket	8	10	92903-10100
7	MR0104315		GB5782	HEX BOLT M10*1.25*55	8	1	
8	MR091101011912		60F-01.03.00.08	Intake manifold	1	1	6H3-13641-03-94
9	MR01051909		60F-01.03.00.06	Seal gasket,Intake manifold	2	1	6H3-13622-A1
10	MR01081936		60F-01.03.00.07	Lining pad,Intake manifold	1	1	6H3-13624-00-94
11	MR01051929		60F-01.03.06.00	Inlet valve	3	1	6H2-13610-00
12	MR01061919BAG		60F-01.04.04.05	seal strip	1	2	
13	MR0104406BAG			Hex Bolt M6*20	3	10	
14	MR01051937		60F-01.04.04.03	Oil seal, drave shaft	1	1	93106-18001
15	MR01011922	MR091101011922	60F-01.04.04.01	Shell, oil seal	1	1	6H3-15359-00-94
16	MR0104170BAG			Flat gasket	6	10	92995-05600
17	MR0104336BAG			Screw M5*16	6	10	97880-05016
18	MR01051936		60F-01.04.04.02	Oil seal, Crank shaft	1	1	93102-30009
19	MR0104407BAG			Hex Head Bolt M6*25	8	10	
20	MR01051916BAG		60F-01.03.00.04	seal Gasket, Carburator	1	2	6H3-14198-A1
21	MR01051924		60F-01.03.02.00	Carburator-1	1	1	6K5-14301-03
22	MR01051925		60F-01.03.03.00	Carburator-2	1	1	6K5-14302-03
23	MR01051926		60F-01.03.04.00	Carburator-3	1	1	6K5-14303-03
24	MR01081941		60F-01.03.00.02	Braket,Carburator	1	1	6H3-14413-10
25	MR0104334BAG			Hex Bolt M6*95	6	10	97095-06095
26	MR010619330BAG		60F-01.03.00.01	Gasket, Silencer	3	2	6H3-14457-01
27	MR01071907		60F-01.03.01.00	Silencer Assy.	1	1	6H3-14440-02
28	MR0104348BAG		GB862.1	Lock washer M6	4	10	90209-06M05
29	MR0104086BAG			Screw M6*45	4	10	97885-06045
30	MR01061918		60F-01.04.04.04	O-ring, oil shell	1	1	93210-65M50



5. Блок двигателя 2

NO.	КОД MR	КОД №2	КОД OEM	НАИМЕНОВАНИЕ	ШТ	УПАКОВКА	YAMAHA
1	MR010818005BAG		F25-01.04.00.01	Washer 14	1	2	90430-14115
2	MR01020217		F15-05.00.00.08	Drain bolt M14*12*1.5	1	1	90340-14M00
3	MR01031907		60F-01.02.02.00	Temperature Sensor Assy	1	1	
4	MR01051906		60F-01.04.00.04	Cylinder gasket	1	1	6H3-11181-A1
5	MR091101011914	MR01011914	60F-01.04.00.03	Cylinder cover	1	1	
6	MR01051910		60F-01.04.00.02	Sealing gasket,cylinder cap	1	1	6H3-11193-A1
7	MR01011913		60F-01.04.00.01	Cylinder cap	1	1	6H3-11191-00-1S
8	MR0104344		GB898(A4-80)	double head bolt M8*90	1	1	
9	MR0104143BAG			Flange bolt	1	10	
10	MR0104431BAG		GB9074.1 M8*70 (10.0)	Bolt&washer M8*70	13	2	
11	MR01061912		60F-01.03.00.14	Oil filter inlet pipe5*9*260	1	1	69D-24311-00
12	MR01030310		BR8HS-10(30F/60F)	Spark plug	3	1	94702-00160
13	MR01051907		60F-01.04.00.16	Seal gasket,Exhaust inner cap	1	1	6H3-41112-A0
14	MR091101011918	MR01011918	60F-01.04.00.15	Inner cap,exhaust	1	1	
15	MR01051908		60F-01.04.00.14	gasket,Exhaust side cap	1	1	6H3-41114-A0
16	MR01050104		15F-01.06.14-50°	thermostat 50°C	1	1	350-01030-1
17	MR01050202BAG		F15-01.01.00.11	Gasket,Thermostat	1	2	6H3-12414-A1
18	MR091101010206		F15-01.01.00.12	Thermostat cap	1	1	
19	MR091101011917	MR01011917	60F-01.04.00.13	Side cap,exhaust	1	1	
20	MR01080210BAG		F15-01.03.00.42	fix clip,air breather tube	2	5	90465-06M86
21	MR0104409BAG		GB9074.1 M6*35(A2-)	bolt&washerM6*35	16	10	
22	MR01090139BAG			washer Φ10	4	10	
23	MR0104407BAG		GB9074.1 M6*25(A2-)	bolt&washerM6*25	2	10	
24	MR01061917		60F-01.03.00.09	L oil pipe (Long)	1	1	
25	MR2080901029		60F-01.03.00.15	outer cover,exhaust	1	1	
26	MR0104008BAG			Hex Head Bolt M6*12	1	10	
27	MR0104139BAG			Bolt nut	1	10	
28	MR01071910BAG		60F-01.04.00.11	Air hose Clamp	1	2	61A-24560-04
29	MR01060112BAG		15F-01.07.05.06	O ring,filter	1	2	93210-32738
30	MR2072701075A		F60-01.07.01.31	Fuel filter element	1	1	
31	MR2070501007		15F-01.07.05.07	Fuel filter housing (top)	1	1	
32	MR01051121BAG		40F-01.07.05	Fuel pump washer	1	2	650-24431-A0
33	MR01051120B		40F-01.07.04.00	Fuel pump assy.	1	1	
34	MR0104410BAG		GB9074.1 M6*40(A2-)	bolt&washerM6*40	2	10	
35	MR2072701074A		F60-01.07.01.07	Fuel filter lower housing	1	1	
36	MR01081934		60F-01.01.01.23	Braking cable bracket	1	1	
37	MR0104403BAG		GB9074.1 M6*12(A2-)	bolt&washerM6*12	1	10	
38	MR01031911		60FE-01.02.11.00	Solenoid Valve assy.	1	1	

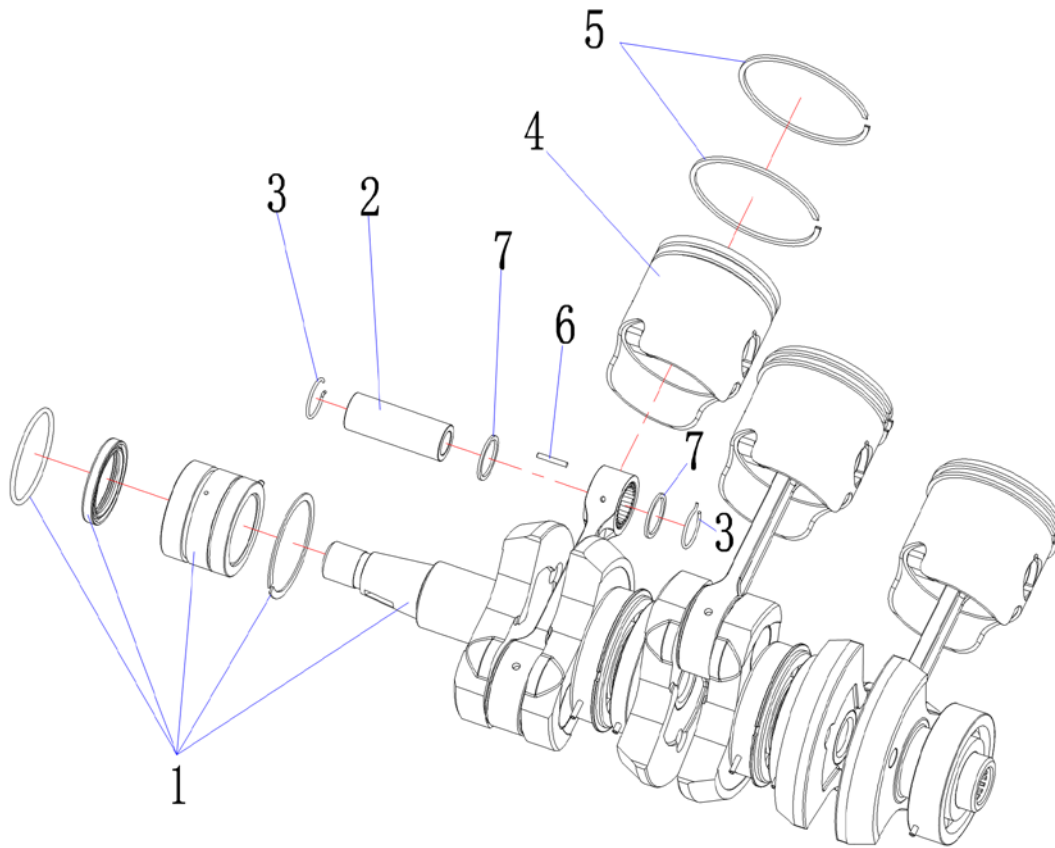
39	MR01020108		15F-01.06.03	Joint,air breather tube	4	1	650-14485-03
40	MR01020111BAG		15F-01.06.21□	Air Tube fitting B	4	2	30901-1350
41	MR01061907BAG		60F-01.03.00.10	Fuil Pipe 5*9*30	2	2	90445-09220
42	MR01070226BAG		F15-05.00.00.17	T-branch pipe	2	2	
43	MR01061906		60F-01.04.00.12	L water pipe(long)	1	1	6H3-24314-00
44	MR01090138BAG			Tube Clip	11	10	
45	MR01062002BAG		2.5F-01.04.00.08	L oil pipe (short)	1	2	6H3-24313-00
46	MR01061909BAG		60F-01.03.00.11	Oil pipe 5*9*125	1	2	90445-09072
47	MR01061911		60F-01.03.00.13	Fule pump inlet oil pipe	1	1	69D-24312-00
48	MR01061914		60F-01.04.00.08	Air hose Φ3*7*185	1	1	90445-07M02
49	MR01061914		60F-01.04.00.08	Air hose Φ3*7*185	1	1	90445-07M02
50	MR01061915		60F-01.04.00.09	Air hose Φ3*7*350	1	1	90445-07M45
51	MR01061916		60F-01.04.00.10	Air hose Φ3*7*450	1	1	90445-07M82
52	MR01090137BAG			Tube clip	8	10	
53	MR01011916		60F-01.04.00.06	Right Bracket,Starter Cap	1	1	
54	MR0104407BAG		GB9074.1 M6*25(A2-)	bolt&washerM6*25	2	10	
55	MR0104404BAG		GB9074.1 M6*16(A2-)	bolt&washerM6*16	2	10	



6. Блок двигателя 3

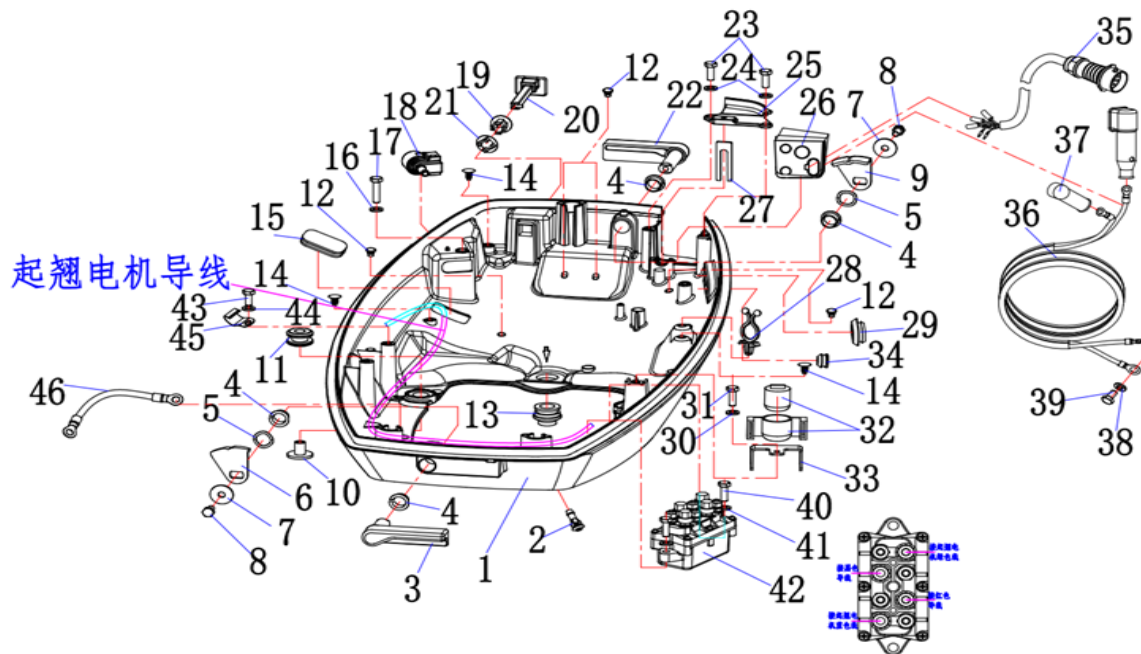
NO.	КОД MR	КОД №2	КОД OEM	НАИМЕНОВАНИЕ	ШТ	УПАКОВКА	YAMAHA
1	MR01061905		60F-01.02.00.11	Bushing Gasket	1	1	6K5-41618-00
2	MR01081925		60F-01.04.00.19	Hanger ring	1	1	6K5-11119-01
3	MR01081924BAG		60F-01.04.00.18	Starter cap Fixing block	1	2	
4	MR0104036BAG			Hex Head Bolt M8*25	2	5	
5	MR01071906		60F-01.02.00.10	Magneto base Bush	1	1	6H4-41611-00
6	MR091101011911		60F-01.02.09.00	Magneto seat	1	1	6H3-85510-A1
7	MR01081923BAG		60F-01.02.00.09	Wire harness plate	1	2	
8	MR0104152BAG			Spring washer 4	1	10	
9	MR0104331BAG			Screw M4*6	1	10	
10	MR2030901008B		60F-01.02.13.00	Trigger & Charging coil assy.	1	1	
11	MR0104152BAG			Spring washer 4	6	10	
12	MR0104327BAG			Screw M4*12	6	10	
13	MR0104153BAG			Spring washer	2	10	
14	MR0104326BAG			Screw M5*25	2	10	
15	MR01031904		60F-01.02.08.00	Lighting coil Assy	1	1	6H3-85533-A0
16	MR0104408BAG			Bolt&washer M6*30	2	10	
17	MR0104281BAG			Bolt	1	10	97095-05016
18	MR01031910B			electric fly wheel	1	1	
19	MR010417209BAG			Flat gasket	1	10	90201-21M18
20	MR01021106		40F-01.03.02	Flywheel nut	1	1	90170-20137
21	MR01081933		60F-01.01.00.22	Starting hub	1	1	6K5-15723-00
22	MR010417109BAG			Flat gasket	3	10	
23	MR01041540BAG			washer	3	10	
24	MR0104032BAG			Hex head bolt M8*12	3	10	97013-08012
25	MR01081922BAG		60F-01.02.00.08	Magneto Base Plate	3	2	6H3-41612-00
26	MR0104158BAG			Flat pad 6	3	10	
27	MR0104318BAG			Cross recessed Pan head screws M6*12	3	10	
28	MR0104403BAG			Bolt&washer M6*12	1	10	
29	MR0104170BAG			Flat gasket	1	10	92995-05600
30	MR011011071		40F-01.03.03	Woodruff key	1	1	
31	MR01081966BAG		60FE-01.03.00.16	TDC pointer	1	2	
32	MR0104171BAG			Flat gasket	1	10	
33	MR0104307BAG			Bolt	1	10	
34	MR01020111BAG		15F-01.06.21	Air Tube fitting B	1	2	30901-1350
35	MR01090137BAG			Tube clip	2	10	
36	MR01061913		60F-01.04.00.07	Air pipe Ф3*7*260	1	1	

37	MR01020108		15F-01.06.03	Joint,air breather tube	1	1	650-14485-03
38	MR01011915		60F-01.04.00.05	Left Bracket,Starter Cap	1	1	6K5-15772-00-94
39	MR0104411BAG			Bolt&washer M6*55	2	10	
40	MR01031603		40FE-01.03.10	Rectifier	1	1	6G1-81970-62
41	MR01071912		60F-01.05.01.00	Timing controller Assy	1	1	6H3-41631-00
42	MR010213001BAG		30F-01.02.00.02	Ball head bolt	1	2	
43	MR0104225BAG			Pan head bolt with cross recess	2	10	97885-06040
44	MR0104138BAG			Hex Nut M6	2	10	
45	MR01070121BAG		15F-01.04.07	screw cap	2	2	
46	MR01021909BAG		60F-01.05.00.01	shoulder Cushion Tube(short)	1	2	90387-06M60
47	MR0104013BAG			Hex Head Bolt M6*25	1	10	
48	MR01021907		60F-01.05.02.02	Connecting rod	1	1	679-41636-00
49	MR0104137BAG			Hexagon nut M5	2	10	
50	MR01070117BAG		15F-01.03.12	Linkage connector	2	2	
51	MR01011910		60F-01.02.00.07	Electrical Bracket	1	1	6H3-85542-00-94
52	MR010613002BAG		30F-01.02.00.09	Fixing sleeve,speed limit	1	2	6H3-81922-00
53	MR0104343BAG		GB897	Stud M6*1*32	1	5	90116-06M07
54	MR010618008BAG		F25-02.00.00.12	Damper cushion,Decorative cover	3	2	90480-13M24
55	MR0102180240BAG		F25-02.00.00.13	Damper cushion bushing,Decorative cover	3	2	90387-06M43
56	MR0104055BAG			Hex Flange Bolt M6*16	3	2	90105-06M14
57	MR0104171BAG			Flat gasket	2	10	
58	MR0104154BAG			Spring Washer	1	10	
59	MR0104149BAG			Hexagon thin nut M6	2	10	
60	MR01071947BAG		60F-01.02.00.05	Nylon Wire clip(middle)	1	10	90464-12M17
61	MR010319080		60F-01.02.06.00	Ground lead Assy	1	1	6K5-82531-00
62	MR01071911BAG		60F-01.05.00.02	Timing rod connector	1	2	6H3-41238-00
63	MR2030901007B		60F-01.02.12.00	CDI	1	1	
64	MR0104171BAG			Flat gasket	2	10	
65	MR0104128BAG			Screw M6*25	2	10	
66	MR01071905		60F-01.02.00.02	Electrics cap	1	1	6H3-81916-00
67	MR0104171BAG			Flat gasket	2	10	
68	MR0104083BAG			Screw M6*12	2	10	
69	MR01031901B		60F-01.02.04.00	Ignition coil assy.	3	1	6H3-85570-10
70	MR0104407BAG			Bolt&washer M6*25	6	10	
71	MR01091902		60F-01.03.00.03	Choke linkage lever	2	1	
72	MR01011919		60F-01.04.00.17	Anode	2	1	
73	MR01061302BAG		30F-01.04.00.17	water seal	2	2	6H3-11328-00
74	MR010113015		30F-01.04.00.16	Lock pad	2	1	6H3-11327-00-1S
75	MR0104404BAG			Bolt&washer M6*16	2	10	
76	MR01051927		60F-01.03.05.00	Throttle linkage lever	1	1	
77	MR01071915		60F-01.05.00.03	Timing controller Wheel	1	1	6H3-41633-00
78	MR01091910		60F-01.05.00.04	Torsional spring	1	1	90508-29M19
79	MR01071916		60F-01.05.00.05	Throttle controller Wheel	1	1	6H3-41632-00
80	MR2020901011		60F-01.05.00.08	Bushing	1	1	
81	MR0104164BAG			Flat gasket	1	10	
82	MR0104017BAG			Hexagonal bolt M6*45	1	10	
83	MR01071917BAG		60F-01.05.00.06	Throttle Cam	1	2	6H3-41213-01
84	MR01081944BAG		60F-01.05.00.07	Wave Washer	1	5	90206-10M04
85	MR01021601		40FE-01.03.08	Cushion Tube	1	1	90387-06M60
86	MR0104013BAG			Hex Head Bolt M6*25	1	10	
87	MR01021908BAG		60F-01.05.03.01	Connecting rod	1	2	682-41237-50
88	MR0104137BAG			Hexagon nut M5	2	10	
89	MR010713013BAG		30F-01.05.00.03	Timing adjustment connecting bolt	2	2	



7. Коленвал

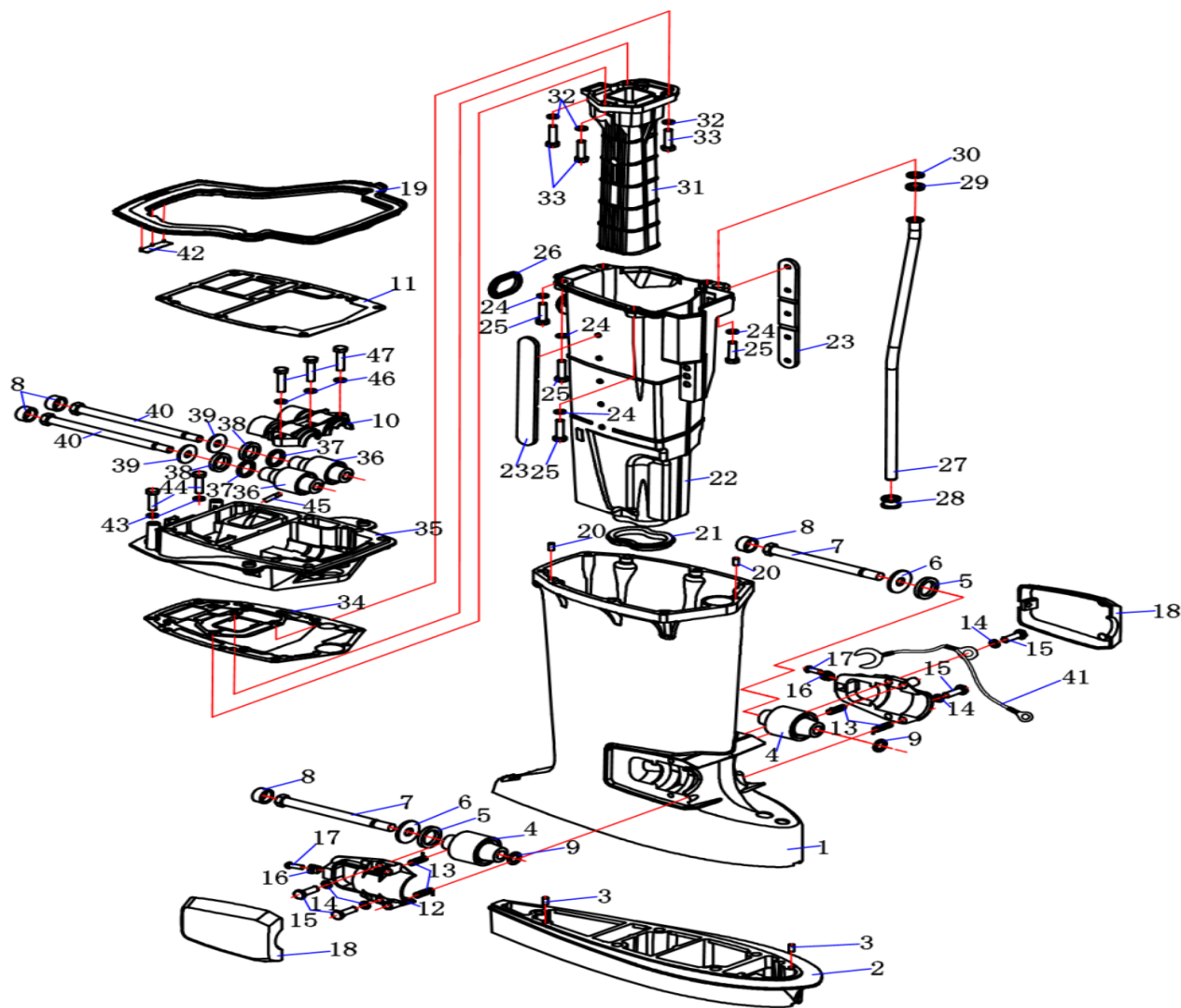
NO.	КОД MR	КОД №2	КОД OEM	НАИМЕНОВАНИЕ	ШТ	УПАКОВКА	YAMAHA
1	MR01051901		60F-01.04.01.00	Crankshaft Assy	1	1	6K5-11401-00
2	MR01051917		60F-01.04.00.30	Piston pin	3	1	6H3-11633-00
3	MR01051918BAG		60F-01.04.00.21	Piston pin Circlip	6	10	688-11633-00
4	MR01051902		60F-01.04.00.24	Piston	3	1	6K5-11631-03-95
5	MR010513037		30F-01.04.00.27	1st ring	6	1	61N-11603-00
6	MR01051935BAG		60F-01.04.00.28	Rolling needle	84	28	93603-18M09
7	MR010811160BAG		40F-01.06.04.05	Needle bearing plate	6	2	90201-20417



8. Поддон двигателя

NO.	КОД MR	КОД №2	КОД OEM	НАИМЕНОВАНИЕ	ШТ	УПАКОВКА	YAMAHA
1	MR091101011927	MR07190009	60F-02.00.00.12	Bottom cowling assy.	1	1	6H3-42711-15-4D
2	MR01070137BAG		15F-02.11	Plastic Water nozzle	1	5	6BL-44391-00
3	MR091101011926	MR07190008	60F-02.00.03.00	Rear Lock Handle Assy	1	1	6H3-42817-01-4D
4	MR01071924BAG		60F-02.00.00.09	Washer	4	2	90386-13M38
5	MR01081942BAG		60F-02.00.00.11	Wave Washer	4	5	90206-13M10
6	MR01081939		60F-02.00.00.14	Rear lock hook	1	1	6H3-42813-00
7	MR0104175BAG		GB5287	Flat gasket 6	2	10	
8	MR0104008BAG			Hex Head Bolt M6*12	2	10	
9	MR01081938		60F-02.00.00.10	Front lock hook	1	1	6H3-42818-00
10	MR01021912		60F-02.00.00.04	Cushion pipe(Bottom cowling)	4	1	90386-13M38
11	MR01061923BAG		60F-02.00.00.05	Damper(Bottem Cowling)	4	2	90480-09M12
12	MR01061924BAG		60F-02.00.00.06	Plug(small)	4	2	
13	MR01061922BAG		60F-02.00.00.03	Shaft sleeve	1	2	6E5-42724-00
14	MR01071115BAG		40F-02.00.00.08	Thread plug	3	2	
15	MR01060526BAG		F9.9-02.00.00.15	rubber Plug	1	2	6H4-42726-00
16	MR0104171BAG			Flat gasket	1	10	
17	MR0104013BAG			Hex Head Bolt M6*25	1	10	
18	MR01100106		15F-01.07.01.00	Fuel hose joint assy	1	1	
19	MR01070135BAG		15F-02.03	Protecting bush,choke	1	2	689-41273-00
20	MR01071922		60F-02.00.01.00	Choke Handle	1	1	
21	MR01060113BAG		15F-02.04	Rubber washer	1	2	6J8-41274-00
22	MR091101011925	MR07190007	60F-02.00.02.00	Front lock handle Assy	1	1	6H3-42815-01-4D
23	MR01040831BAG			Pan head bolt with cross recess	2	10	97880-06016
24	MR0104171BAG			Flat gasket	2	10	
25	MR091101011924	MR07190006	60F-02.00.00.07	Plate(Throttle cable)	1	1	6H3-42738-01-5B
26	MR01061949		60FE-02.00.00.14	fixed sleeve,throttle cable	1	1	
27	MR01080810		HDYK00.00.23	Bottom cowling Damper.	1	1	
28	MR01071947BAG		60F-01.02.00.05	Nylon Wire clip(middle)	1	10	90464-12M17
29	MR01061920BAG		60F-02.00.00.01	Plug(left)	1	2	6H3-42727-00
30	MR0104171BAG			Flat gasket	1	10	
31	MR0104009BAG		GB5783(8.8)	Bolt	1	10	
32	MR01030817			Relay Assy.(Electrical)	1	1	
33	MR01081965		60FE-01.02.12.01	relay bracket	1	1	
34	MR01061948BAG		60FE-02.00.00.15	rubber plug	1	5	
35	MR01031611		DQQ-00.00.07.00-S	ten stars plug(1.2m)	1	1	
36	MR01031912		60FE-01.02.00.13	battery cable	1	1	
37	MR01060807BAG		DQDF15-00.03.06	rubber sleeve B	1	5	
38	MR010417109BAG			Flat gasket	1	10	
39	MR0104032BAG			Hex head bolt M8*12	1	10	97013-08012
40	MR0104012BAG			Hex Bolt M6*20	2	10	
41	MR0104171BAG			Flat gasket	2	10	
42	MR01031914		60FET-01.02.15.00	relay Assy,lifted motor	1	1	

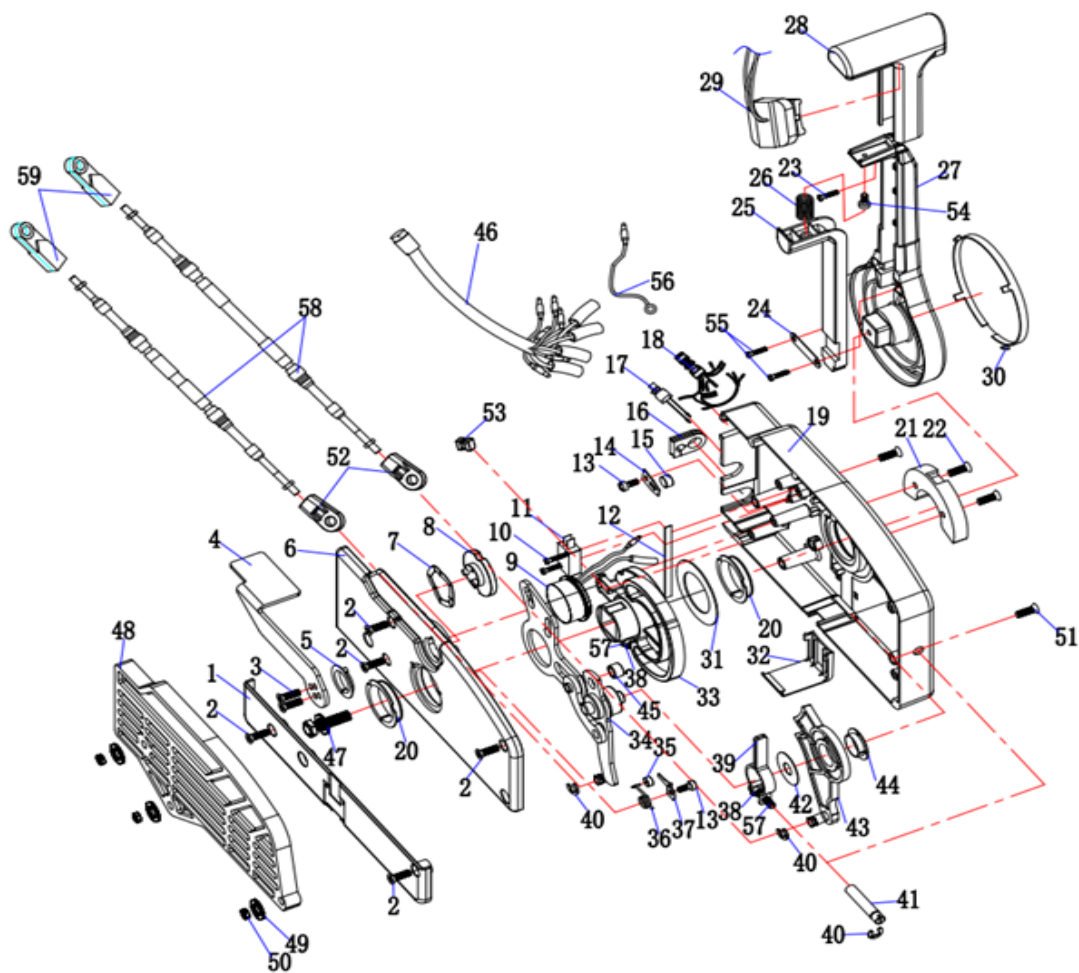
43	MR0104008BAG			Hex Head Bolt M6*12	1	10	
44	MR0104158BAG			Flat pad 6	1	10	
45	MR01080210BAG		F15-01.03.00.42	fix clip,air breather tube	1	5	90465-06M86
46	MR01100114		15F-05.08	connection cable	1	1	



9. Дейдвуд

NO.	КОД MR	КОД №2	КОД OEM	НАИМЕНОВАНИЕ	ШТ	УПАКОВКА	YAMAHA
1	MR091101011940	MR07190017	60F-05.00.00.15	Upper Casing	1	1	6H3-45111-01-4D
2	MR091101011943	MR07190018	60F-05.00.00.24	Upper Connector case	1	1	696-45211-01-4D
3	MR01020110BAG		15F-01.06.20	Locating Pin 2*6	2	10	
4	MR01021937		60F-05.00.03.00	Lower Damper Assy	2	1	687-44555-00-94
5	MR01061933BAG		60F-05.00.00.13	Rubber Cushion Ф25	2	5	90202-25M04
6	MR0104167BAG			Gasket	2	5	
7	MR01021901		60F-05.00.00.14	Hex head Bolt M12*1.25*153	2	1	90109-12M21
8	MR01061932BAG		60F-05.00.00.07	rubber sleeve	4	2	663-44575-00
9	MR0104161BAG			Flat gasket 12	2	10	
10	MR01011938		60F-05.00.00.08	Upper damper shell	1	1	688-44511-00-94
11	MR01051912		60F-05.00.00.01	Body sealing gasket	1	1	6H3-45113-A0
12	MR091101011939		60F-05.00.00.11	Lower damper shell	2	1	6H3-44552-03-94
13	MR01091912BAG		60F-05.00.00.12	lower damper cap spring	4	2	90601-14M08
14	MR01041540BAG			washer	4	10	
15	MR0104036BAG			Hex Head Bolt M8*25	4	5	
16	MR01071938BAG		60F-05.00.00.10	Plastic nut	2	2	90179-06066
17	MR01040890			screw	2	1	
18	MR091101011954		60F-05.00.00.09	Lower damper Cap	2	1	6H3-44553-01-4D
19	MR01061929		60F-05.00.00.02	Lower cowling damper	1	1	6H3-42716-02
20	MR01020110BAG		15F-01.06.20	Locating Pin 2*6	2	10	
21	MR01061934		60F-05.00.00.18	Silencer shell bush	1	1	6H3-45123-00
22	MR01011941		60F-05.00.00.16	Silencer shell	1	1	6H3-14711-01-5B
23	MR01061935		60F-05.00.00.19	Silencer shell cushion	2	1	6H3-14737-00
24	MR01041540BAG			washer	4	10	
25	MR0104037BAG			Bolt	4	2	

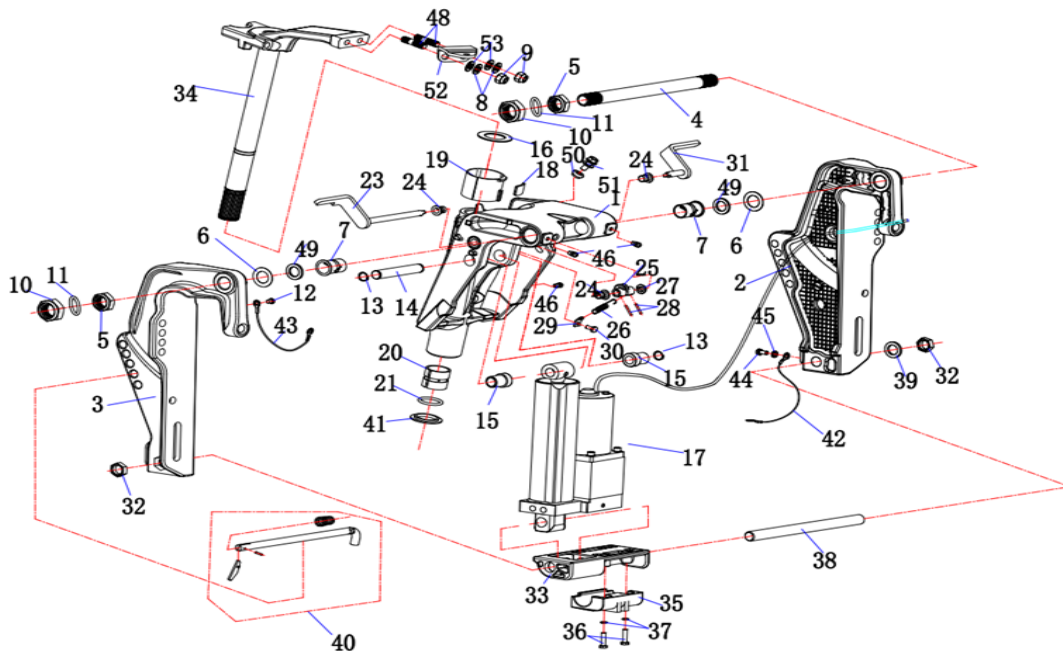
26	MR01061936		60F-05.00.00.20	Idle exhaust Bush	1	1	6H3-45127-00
27	MR01081945		60F-05.00.00.17	Water pipe	1	1	69D-44361-00
28	MR01061133BAG		40F-05.00.00.16	Seal ring(lower),hose	1	2	663-44367-00
29	MR01061132BAG		40F-05.00.00.14	Seal ring,hose	1	5	90202-12060
30	MR01071129BAG		40F-05.00.00.15	Bushing, hose	1	2	676--42727-00
31	MR01011944		60F-05.00.00.25	exhaust pipe	1	1	6H2-41131-00-5B
32	MR01041540BAG			washer	3	10	
33	MR0104037BAG			Bolt	3	2	
34	MR01051911		60F-05.00.00.21	Upper shell gasket	1	1	6H3-45114-A1
35	MR091101011942	MR01011942	60F-05.00.00.22	Bottom Base	1	1	6H3-42711-15-4D
36	MR01021934		60F-05.00.01.00	Upper damper Assy.	2	1	688-44514-00-94
37	MR01081905BAG		60F-05.00.00.05	Flat gasket 21*28*3	2	2	90201-20M21
38	MR01061931BAG		60F-05.00.00.06	Rubber gasket Φ 21	2	5	90202-20M06
39	MR0104161BAG			Flat gasket 12	2	10	
40	MR01021903		60F-05.00.00.04	Hex head bolt M10*1.25*1.73	2	1	90101-10M49
41	MR01101903		60F-05.00.02.00	Connecting wire assy	1	1	
42	MR01061930BAG		60F-05.00.00.03	Rubber exhaust gasket	1	5	6K5-42717-00
43	MR01041540BAG			washer	2	10	
44	MR0104037BAG			Bolt	2	2	
45	MR01021918BAG		60F-05.00.00.23	Water pipe	1	2	
46	MR01041540BAG			washer	3	10	
47	MR0104038BAG			Bolt	3	5	



10. Контроллер

NO.	КОД MR	КОД №2	КОД OEM	НАИМЕНОВАНИЕ	ШТ	УПАКОВКА	YAMAHA
1	MR090901010801	MR07080001	HDYK00.00.01	Small plate	1	1	
2	MR0104111BAG		GB819 M5*16	Bolt	5	10	
3	MR0104110BAG		GB819 M5*12	Screw M5*12	2	10	
4	MR01080801		HDYK00.00.02	Lale lock handle	1	1	703-48152-00
5	MR01070801BAG		HDYK00.00.04	Antifriction Bushing	1	2	703-48243-00
6	MR090901010807	MR07080003	HDYK00.00.31	cap	1	1	703-48236-00
7	MR01080802BAG		HDYK00.00.03	Wave Washer	1	2	703-48198-00
8	MR01010802		HDYK00.01.00	Handle Lock wheel Assy	1	1	703-48153-00
9	MR01030801		HDYK00.02.01	Buzzer assy	1	1	703-83383-B0
10	MR0104071BAG		GB818 M3*14	Pan Screw M3*14	1	10	
11	MR01030804		HDYK00.05.00	Idle Start switch	1	1	703-82540-00
12	MR01090802BAG		HDYK00.00.10	Spring steel plate	5	10	
13	MR0104072BAG			screws M4*6	1	10	
14	MR01080804BAG		HDYK00.00.09	Plate	1	2	
15	MR01020802BAG		HDYK00.00.11	Shift limit pin	1	5	
16	MR01060801BAG		HDYK00.00.12	Wire Harness Seal Ring	1	10	703-48284-00
17	MR01030802		HDYK00.03.00	Engine shut-off switch	1	1	688-82575-01
18	MR01030803		HDYK00.04.00	Start switch Assy	1	1	703-82510-12
19	MR01010803		HDYK00.00.08	Remote control box	1	1	
20	MR01070804BAG		HDYK00.00.16	Gear Shift Seat washer	2	5	703-48236-00
21	MR01070806BAG		HDYK00.00.20	Handle Limit Assy	1	2	703-48245-00
22	MR0104111BAG		GB819 M5*16	Bolt	2	10	
23	MR0104226BAG		GB819 M4*10	Bolt	3	10	
24	MR01080809BAG		HDYK00.09.05	handle Lock plate	1	2	
25	MR01070809		HDYK00.09.04	Handle lock switch	1	1	703-48223-00
26	MR01090803BAG		HDYK00.09.06	Spring	1	2	703-48227-00
27	MR2012408001		HDYK00.09.11	Handle seat	1	1	
28	MR2072408001		HDYK00.09.13	handle	1	1	
29	MR2032702005		F60-02.00.03.04	trim switch	1	1	
30	MR2072408003		HDYK00.09.12	Handle seat decoration ring	1	1	

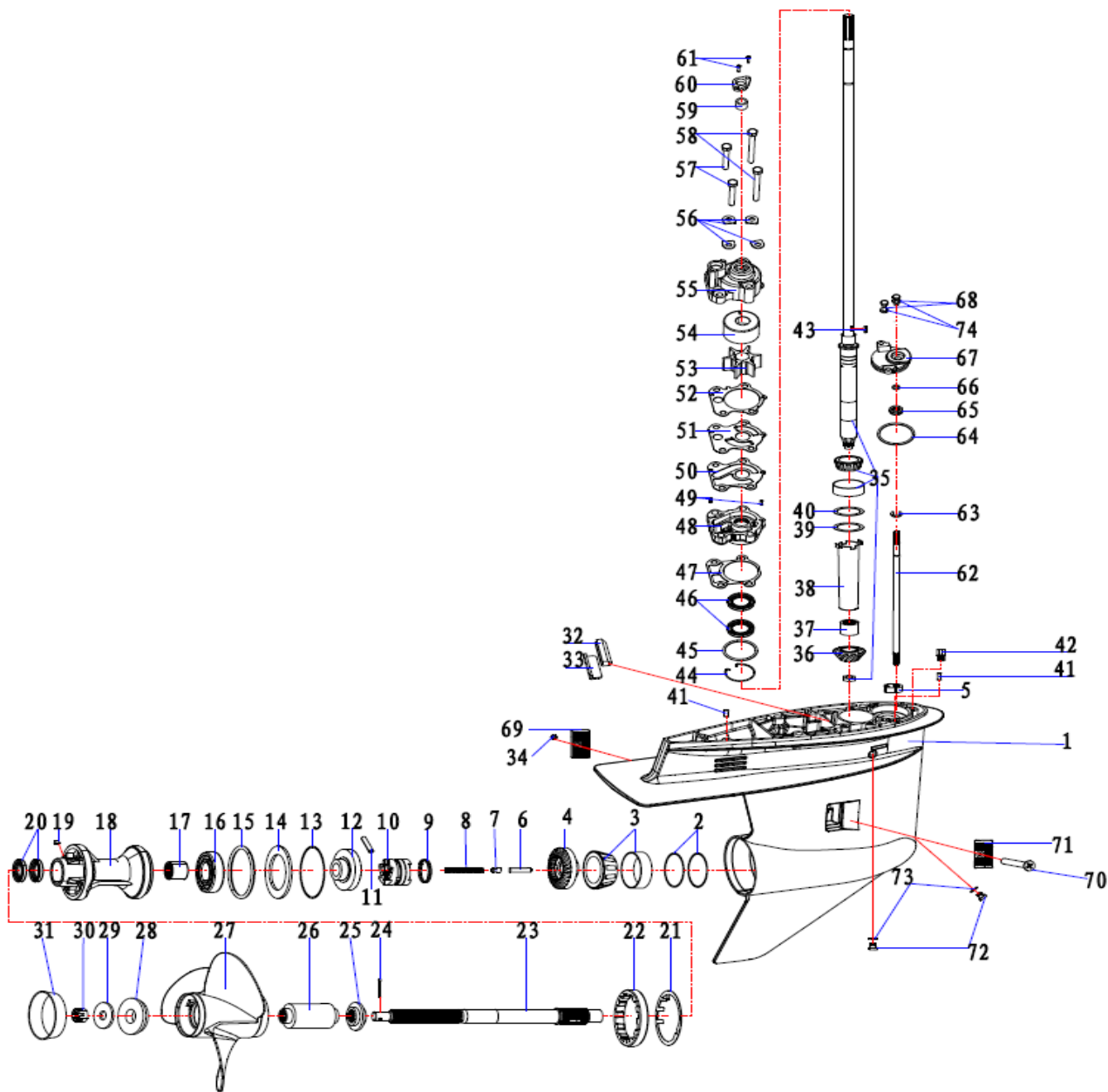
31	MR01070803BAG		HDYK00.00.15	Gear Shift Seat washer	1	5	
32	MR2072408002			Lid connector	1	1	
33	MR01010804		HDYK00.00.14	Shift seat	1	1	
34	MR010817012			Throttle controler Assy	1	1	703-48261-01
35	MR01020821BAG		HDYK00.00.06	Guide wheel	1	2	703-48234-00
36	MR01090801BAG		HDYK00.00.07	Spring	1	5	703-48244-00
37	MR01080803BAG		HDYK00.00.05	Guide wheel plate	1	2	703-48246-00
38	MR0104137BAG		GB6170 M5	Hex Nut M5	2	10	
39	MR01020810		HDYK00.08.01	Locking Clamp	1	1	703-48264-00
40	MR0104179BAG		GB896 6	Circlip	1	10	
41	MR01020811BAG		HDYK00.08.02	Adjusting screw	1	5	703-48265-00
42	MR01070805BAG		HDYK00.00.19	Shift control washer	1	5	703-48268-00
43	MR01010805		HDYK00.00.17	Shift controler	1	1	703-48271-00
44	MR01080808BAG		HDYK00.00.13	Shift control washer	1	2	703-48235-00
45	MR01020808BAG		HDYK00.07.10	Guide wheel	1	2	703-48252-00
46	MR01030805		HDYK00.00.33	Seven-pin plug 5M	1	1	688-8258A-20
47	MR01044130BAG		GB9074.1 M8*30(8.8)	Flat gasket&bolts	1	5	
48	MR01070814		HDYK00.00.32	Remote control fixation plate	1	1	
49	MR0104175BAG		GB5287 M6	Flat gasket 6	3	10	
50	MR0104138BAG		GB6170 M6	Hex Nut M6	3	10	
51	MR0104119BAG		GB820 M6*90	Screw M6*90	3	5	
52	MR01070812BAG		HDYK00.00.25	Cable adjustor B	2	2	703-48345-01
53	MR01060803BAG		HDYK00.00.27	Wire harness sealing Seat	1	10	
54	MR01040760BAG		GB818 M5*10	screws(M5*10)	1	10	
55	MR0104110BAG		GB819 M5*12	screws(M5*12)	2	2	703-82563-02
56	MR01030824BAG		HDYK00.05.01	Electric Start Idle Wire	1	2	
57	MR0104005BAG		GB5783 M5*25	bolt	2	10	
58	MR0110080105BAG			remote control cables	2	2	
59	MR01070811BAG		HDYK00.00.24	adjustor A	2	5	



11. Кронштейн струбины

NO.	КОД MR	КОД №2	КОД OEM	НАИМЕНОВАНИЕ	ШТ	УПАКОВКА	YAMAHA
1	MR091101011931		60F-03.00.00.22	Swivel bracket	1	1	697-43311-03-4D
2	MR091101011932		60F-03.01.01.00	Bracket(LH)	1	1	697-43111-05-4D
3	MR091101011933		60F-03.02.01.00	Bracket(RH)	1	1	697-43112-03-4D
4	MR01021114		40F-03.04	Bolt	1	1	346-62191-0
5	MR01020115		15F-03.01	Clamp nut	2	1	90185-22043
6	MR01081114BAG		40F-03.03	Washer	2	2	
7	MR01071121		40F-03.07.02	Damping ring,bracket	2	1	90386-22M15
8	MR01041541BAG			Spring washer	4	10	
9	MR0104230BAG			hexagonal lock nut M10*1.25	2	2	
10	MR01070823BAG		HDYK00.00.35.02	protection sleeve	2	5	
11	MR01060825BAG		HDYK00.00.35.03	o-ring "protection sleeve	2	5	
12	MR0104321BAG			Screw M6*8	1	10	97880-06012
13	MR0104335BAG			Circlip A type Ф15	2	10	
14	MR01021930		60F-03.00.00.16	Hydraulic Trim Suport shaft (up)	1	1	
15	MR01071929BAG		60F-03.00.00.15	Hydraulic Trim bushing	2	2	90386-18M35
16	MR01071930BAG		60F-03.00.00.17	Supporting shaft sleeve	1	2	90386-18M21
17	MR01051951		60FET-03.00.08.00	Power Trim Assy.	1	1	
18	MR01061126		40F-03.07.05	brake lining	1	1	
19	MR01071122		40F-03.07.04	clamp ring	1	1	
20	MR01071123		40F-03.07.07	lower bushing	1	1	
21	MR01061128BAG		40F-03.07.08	rubber o-ring	1	2	
22	MR01021124		40F-04.01.04	Double-screw bolt	2	1	
23	MR01081903		60F-03.00.05.00	Tilt positioning lever - Left	1	1	6H5-43181-03
24	MR01071931BAG		60F-03.00.00.20	Arm bush	3	2	
25	MR01071933		60F-03.00.04.00	Tilt positioning lever arm assy.	1	1	6G5-43148-00
26	MR01091911BAG		60F-03.00.00.19	Tilt positioning lever spring	1	2	90506-14M24
27	MR01071932BAG		60F-03.00.00.21	Arm open bush	1	2	90386-10025
28	MR0104371BAG			Elastic cylindrical pin 3*16	2	10	
29	MR01081920BAG		60F-03.00.00.18	Hook,spring	1	5	6G5-43144-00
30	MR0104007BAG			Hex Bolt M6*10	1	10	
31	MR01081904		60F-03.00.06.00	Tilt positioning lever - Right	1	1	6H5-43181-03
32	MR01021928		60F-03.00.00.09	Hex Nut M18*1.5	2	1	
33	MR091101011930	MR07190012	60F-03.00.00.12	Bracket blocker	1	1	
34	MR091101011929	MR07190011	60F-03.00.01.00	Steering bracket comp.	1	1	6H3-42510-03-4D
35	MR01011903		60F-03.00.00.11	Anode	1	1	63D-45251-00
36	MR0104374BAG			Hex Head Bolt M6*25	2	10	
37	MR010417109BAG			Flat gasket	2	10	
38	MR01021932		60F-03.00.00.13	Hydraulic Power Trim Suport shaft (down)	1	1	90116-18M52
39	MR01081930		60F-03.00.00.10	Flat Gasket Ф19*Ф29.5*3	1	1	
40	MR01091943			Angle positioning pin assy.	1	1	
41	MR01071925BAG		60F-03.00.00.03	Lower Bushing	1	2	90386-30M60
42	MR01101904		60F-03.00.03.00	Ground Wire assy.	1	1	
43	MR01101905		60F-03.00.07.00	Ground Wire assy.	1	1	63D-82148-00
44	MR0104007BAG			Hex Bolt M6*10	1	10	
45	MR0104171BAG			Flat gasket	1	10	
46	MR01100109BAG		JB7940.1	Oil cup	3	2	93700-06M03

47	MR091101011929	MR07190011	60F-03.00.01.00	Steering bracket assy.	1	1	
48	MR0104230		DIN985 M10*1.25	hex nylon nut M10*1.25	2	1	
49	MR01070139BAG		15F-03.02	nylon washer	2	2	
50	MR01081967		60FE-03.00.00.24	control hook	1	1	
51	MR01041710901BAG			washer 10	2	10	



12. Редуктор

NO.	КОД MR	КОД №2	КОД OEM	НАИМЕНОВАНИЕ	ШТ	УПАКОВКА	YAMAHA
1	MR2011106001		85F-06.00.00.20	Underwater housing	1	1	
2	MR010819040		60F-06.00.00.43	Forward gear Shim	2	1	688-45567-01
3	MR01051923		60F-06.00.00.42	Bearing 26822-N/26882R-N	1	1	93332-000W7
4	MR01051904		60F-06.00.00.41	Forward Gear	1	1	6K5-45560-00
5	MR2051106017		85F-06.00.00.16	Variable gear cam	1	1	
6	MR2021106010		85F-06.00.00.18	Shift plunger	1	1	
7	MR2021106011		85F-06.00.00.10	Sleeve	1	1	
8	MR2091106001BAG		85F-06.00.00.12	spring	1	2	
9	MR01091914BAG		60F-06.00.00.31	Circlip	1	2	
10	MR2051106014		85F-06.00.00.11	clutch	1	1	
11	MR01021910BAG		60F-06.00.00.32	Cluth Pin	1	5	90250-07M02
12	MR01051905		60F-06.00.03.06	Reverse Gear	1	1	6H3-45571-00
13	MR010819430		60F-06.00.00.24	Shim 0.5	1	1	688-45577-60
14	MR01081940		60F-06.00.03.05	Thrust washer	1	1	688-45576-00
15	MR01061940		60F-06.00.03.03	Lower Casing cap O ring(83*5.6)	1	1	93210-85M97
16	MR01051942		60F-06.00.03.04	deep groove ball bearing 6207	1	1	93306-207U0
17	MR01051941		60F-06.00.03.02	Needle Bearing HK2526	1	1	93317-325U0
18	MR091101011947		60F-06.00.03.07	Lower casing cap	1	1	688-45331-00-94
19	MR01081912BAG		60F-06.00.00.23	Flat Key	1	2	90282-04010
20	MR2052706035		F60-06.00.02.03	Oil Seal 40*25*6	2	1	93101-25M03
21	MR01081913		60F-06.00.00.22	Stop washer	1	1	688-45383-02
22	MR01011946		60F-06.00.00.21	Ring nut	1	1	688-45384-00
23	MR2051106020		85F-06.00.00.13	Propeller shaft	1	1	
24	MR01041892BAG		GB91	Cotter pin	1	10	

25	MR01021948		60F-06.00.00.49	Propeller Pad	1	1	688-45987-01
26	MR01061950		60F-06.01.01.00	Propeller Spline Assy	1	1	
27	MR01011904		60F-06.01.00.01	Propeller 1312*15-K	1	1	6E5-45941-00-EL
	MR030315	MR08150011	60F	Propeller Assy.	1	1	6E5-45947-00
28	MR01081927		60F-06.00.00.48	Propeller Washer	1	1	67F-45997-00
29	MR01081935		60F-06.00.00.47	Hex Nut Washer	1	1	90389-25M00
30	MR01021131		40F-06.02.07	Nut	1	1	90171-16011
31	MR01011949		60F-06.01.00.02	Horn Mouth	1	1	
32	MR01061942BAG		60F-06.00.00.13	Gasket	1	2	
33	MR01011134		40F-06.01.10	pressing plate,sealing strip	1	1	
34	MR0104145BAG		DIN985	Hexagonal nut	1	10	90185-05002
35	MR01051946		60F-06.00.00.37	Drive shaft	1	1	69D-45501-00
	MR2050901004		60F-06.00.00.37-S	Drive shaft	1	1	
36	MR01051903		60F-06.00.00.36	Drive Gear	1	1	6K5-45551-00
37	MR01051953		60F-06.00.00.45	Needle Bearing BH-1620	1	1	93315-325V1
38	MR01071943		60F-06.00.00.44	Nylon Cushion	1	1	688-45536-01
39	MR010819050		60F-06.00.00.40	Draft shaft Shim 0.5	1	1	688-45587-20
40	MR010819060BAG		60F-06.00.00.39	Draft shaft Shim 0.1	1	2	688-45587-50
41	MR01020110BAG		15F-01.06.20	Locating Pin 2*6	2	10	
42	MR01021941		60F-06.00.00.20	Hex Bolt	1	1	6J8-45378-00
43	MR01101907		60F-06.00.00.08	Impeller Woodruff key	1	1	90280-04M04
44	MR01091901		60F-06.00.02.04	Spring Washer	1	1	
45	MR01061941		60F-06.00.02.02	Oil Seal shell O ring(45.6*3.2)	1	1	93210-46044
46	MR01051949		60F-06.00.02.03	Oil Seal 40*25*6	2	1	93101-25M03
47	MR01051913BAG		60F-06.00.00.12	Oil seal shell gasket	1	2	688-44316-A0
48	MR091101011953	MR01011953	60F-06.00.02.01	Oil Seal Shell	1	1	688-44341-01-94
49	MR01020521BAG		F9.9-05.00.00.26	Locating Pin 4*10	2	10	93604-10M03
50	MR01051914BAG		60F-06.00.00.11	Seal gasket plate	1	5	688-44324-A0
51	MR01081911		60F-06.00.00.10	Water pump impeller Gasket	1	1	688-44323-40
52	MR01051915BAG		60F-06.00.00.09	Water pump shell seal gasket	1	2	688-44315-A0
53	MR01061901		60F-06.00.01.00	Water pump impeller assy	1	1	688-44352-03
54	MR01081910		60F-06.00.00.07	Water pump inner shell	1	1	69D-44322-00
55	MR01071942		60F-06.00.00.06	Water pump outer shell	1	1	688-44311-01
56	MR010417109BAG		GB97.1	Flat gasket	4	10	
57	MR0104041BAG		GB5783	Hex Head Bolt M8*50	2	10	90119-08M13
58	MR0104248		GB5783	Hex Head Bolt M8*70	2	1	90119-08M16
59	MR01061943BAG		60F-06.00.00.05	Water pipe seal ring	1	5	663-44366-00
60	MR01071941BAG		60F-06.00.00.04	Water pipe seal ring plate	1	2	90480-19M06
61	MR0104090BAG		GB845	Cross recessed pan head tapping screws	2	10	
62	MR2021106008		85F-06.00.00.07	Lower shift link	1	1	
63	MR0104181BAG		GB/T896 8	Circlip	1	10	93430-10M00
64	MR01061938		60F-06.00.00.16	Lower Shift rod O-Ring 49.5*3	1	1	93210-49046
65	MR010519370		60F-06.00.00.15	Lower Shift rod oil seal	1	1	93106-09014
66	MR01061939BAG		60F-06.00.00.19	Lower Shift rod O-Ring 6.5*19	1	5	983210-07003
67	MR091101011945	MR01011945	60F-06.00.00.14	Shift rod seat	1	1	688-45321-00
68	MR0104404BAG		GB9074.1 M6*16(8.8)	Bolt	2	10	
69	MR01071940BAG		60F-06.00.00.02	Intake Cover(right)	1	5	6H1-45214-00
70	MR0104322BAG		GB819	Screw M5*45	1	10	90185-05002
71	MR01071939BAG		60F-06.00.00.01	Intake Cover(Left)	1	5	6H1-45215-00
72	MR01020128BAG		15F-06.01.03	plug,straight screw	2	2	90340-08002
73	MR01080139BAG		15F-06.01.04	Gasket	2	10	90430-08020
74	MR0104171BAG		GB97.1	Flat gasket	2	10	
	MR030527	MR08140019	60F(L)	Lower Casing Assy.	1	1	

13. Аксессуары

NO.	КОД MR	КОД №2	КОД OEM	НАИМЕНОВАНИЕ	ШТ	УПАКОВКА	YAMAHA
1	MR01020128BAG		15F-06.01.03	thread plug, straight screw	2	2	90340-08002
2	MR0104167BAG		GB96 M12	flat gasket	4	5	
3	MR0104171BAG		GB97.1 M6	flat gasket	1	10	
4	MR0104173BAG		GB97.1 M12	flat gasket	4	10	
5	MR010418709BAG		GB91 2*12	cotter pin	1	10	
6	MR01041892BAG		GB91 3.2*25	cotter pin	1	10	
7	MR0104341		GB5783 M12*110	hex bolt	4	1	
8	MR0104351BAG		GB6170 M12	hex bolt	4	10	
9	MR01061901			impeller Assy.	1	1	688-44352-03
10	MR01070166		15F-08.00.00	fuel case Assy.	1	1	
11	MR01070168BAG		15F-09.01	emergency starting handle	1	2	
12	MR01080139BAG		15F-06.01.04	thread plug seal gasket	2	10	90430-08020
13	MR01100103		15F-01.01.22	starter rope	1	1	
14	MR01100108		15F-08.01.06.00	Fuel Hose With Connector	1	1	
15	MR01100134		15F-09.00	toolkit	1	1	
16	MR01020813BAG		HDYK00.10.04	hex bolt	1	5	
17	MR010208140BAG		HDYK00.10.06	flat gasket	1	2	
18	MR01020820BAG		HDYK00.10.07	nylon Lock nut	2	2	
19	MR01021949BAG		60FE-03.00.00.26	cushion, control hook	1	2	
20	MR0104119BAG		GB820 M6*90	Pan head bolt with cross recess	3	5	
21	MR0104138BAG		GB6170 M6	hex bolt	3	10	
22	MR01041710901BAG		GB97.1 M10	flat gasket	2	10	92903-10100
23	MR0104175BAG		GB5287 M6	flat gasket	3	10	
24	MR01070811BAG		HDYK00.00.24	steel cable adjusting device A	2	5	
25	MR01070812BAG		HDYK00.00.25	steel cable adjusting device B	2	2	703-48345-01
26	MR01070814		HDYK00.00.32	remote control fixed board	1	1	
27	MR01091919		60FE-03.00.00.25	control Lever	1	1	
28	MR0110080105			steel cable Assy., remote control	2	1	
29	MR01100807		HDYK00.00.34.00	steering wheel Assy.	1	1	
30	MR01100808		HDYK00.00.35.00	direction base Assy.	1	1	
31	MR01100810BAG			fuse	1	5	
32	MR01100818		HDYK00.00.35.01(5.5M)	direction wire rope Assy.	1	1	